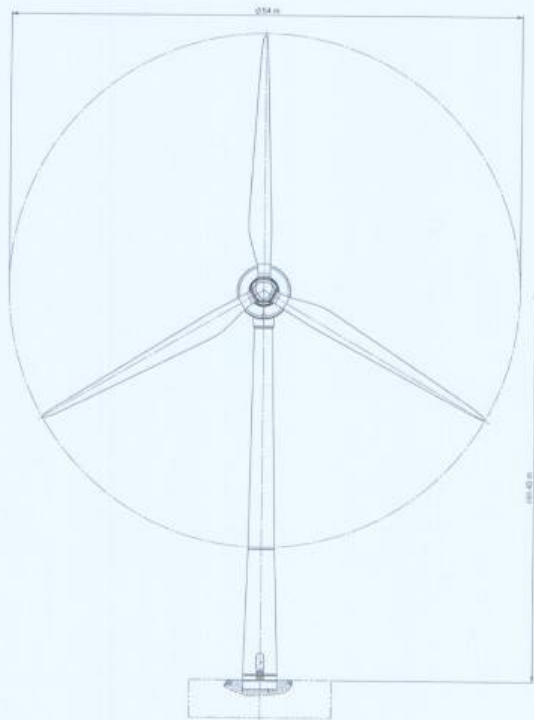


THIS COPY HAS BEEN MADE BY US WITH THE AUTHORITY OF RYEDALE DISTRICT COUNCIL PURSUANT TO SECTION 10(1) OF THE COPYRIGHT, DESIGN AND PATENTS ACT 1988 UNLESS THAT ACT PROVIDES A DIFFERENT EXEMPTION TO COPYRIGHT. THIS COPY MUST NOT BE LOANED WITHOUT THE PRIOR PERMISSION OF THE COPYRIGHT OWNER.



RYEDALE DM

30 JUL 2013

DEPARTMENT
MANAGEMENT

[FOR INFORMATION ONLY]

Project Name	RYEDALE DM	Client	RYEDALE DISTRICT COUNCIL
Project No.	1000901	Project Manager	MARK HARRIS
Project Description	General Arrangement	Project Engineer	MARK HARRIS
Project Location	RYEDALE DM	Project Date	30 JUL 2013
Project Status	FOR INFORMATION ONLY	Project Sheet No.	05
Project Scale	1:200	Project Sheet Title	RYEDALE DM - GENERAL ARRANGEMENT
Project Drawing No.	1000901-05	Project Drawing Title	RYEDALE DM - GENERAL ARRANGEMENT
Project Drawing Date	30 JUL 2013	Project Drawing Scale	1:200
Project Drawing Author	MARK HARRIS	Project Drawing Checker	MARK HARRIS
Project Drawing Approver	MARK HARRIS	Project Drawing Date	30 JUL 2013

THIS COPY HAS BEEN MADE BY OR WITH THE
AUTHORITY OF THE NATIONAL ARCHIVES
PURSUANT TO SECTION 17(2) OF THE COPYRIGHT
ACT 1911 AND SECTION 17(2) OF THE COPYRIGHT
ACT 1989 AND IN ACCORDANCE WITH THE
CONDITIONS OF THE NATIONAL ARCHIVES
COPYRIGHT PERMISSION OF THE
COPYRIGHT OWNER



RYEDALE DM
30 JUL 2013
DEVELOPMENT
MANAGEMENT



SIDE



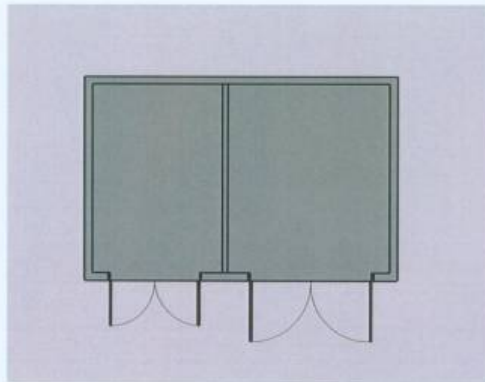
FRONT



SIDE



REAR



PLAN

TRANSFORMER KIOSK

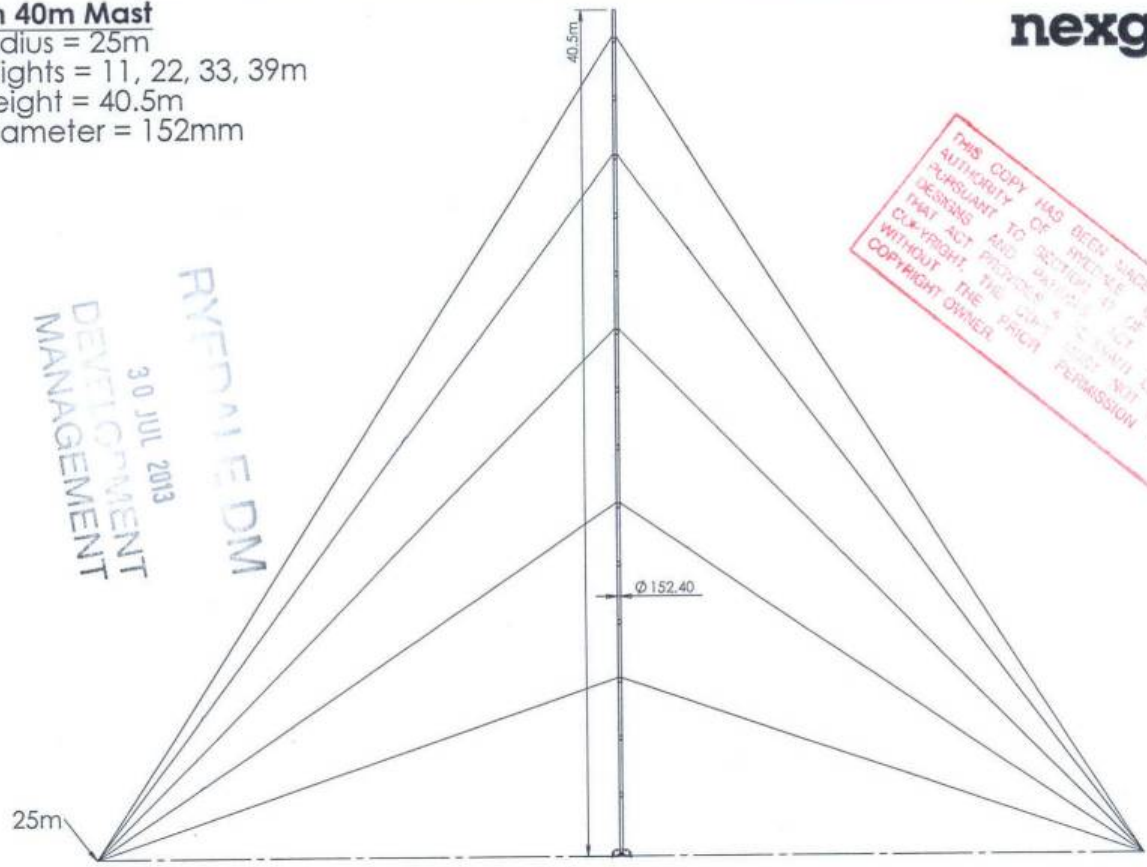
4m wide x 2.6m deep x 2.4m high
GRP enclosure - grey/green finish, final colour to be agreed with Local Planning Authority

THIS COPY HAS BEEN MADE BY DR WITH THE AUTHORITY OF RYEDALE DM. ANY REPRODUCTION OF THIS COPY FOR OTHER PURPOSES AND WITHOUT THE WRITTEN PERMISSION OF RYEDALE DM IS STRICTLY PROHIBITED. WITHOUT THE PRIOR PERMISSION OF THE COPYRIGHT OWNER.

RYEDALE DM
30 JUL 2013
DEVELOPMENT
MANAGEMENT

Nexgen 40m Mast

Guy Radius = 25m
 Guy Heights = 11, 22, 33, 39m
 Mast Height = 40.5m
 Tube Diameter = 152mm

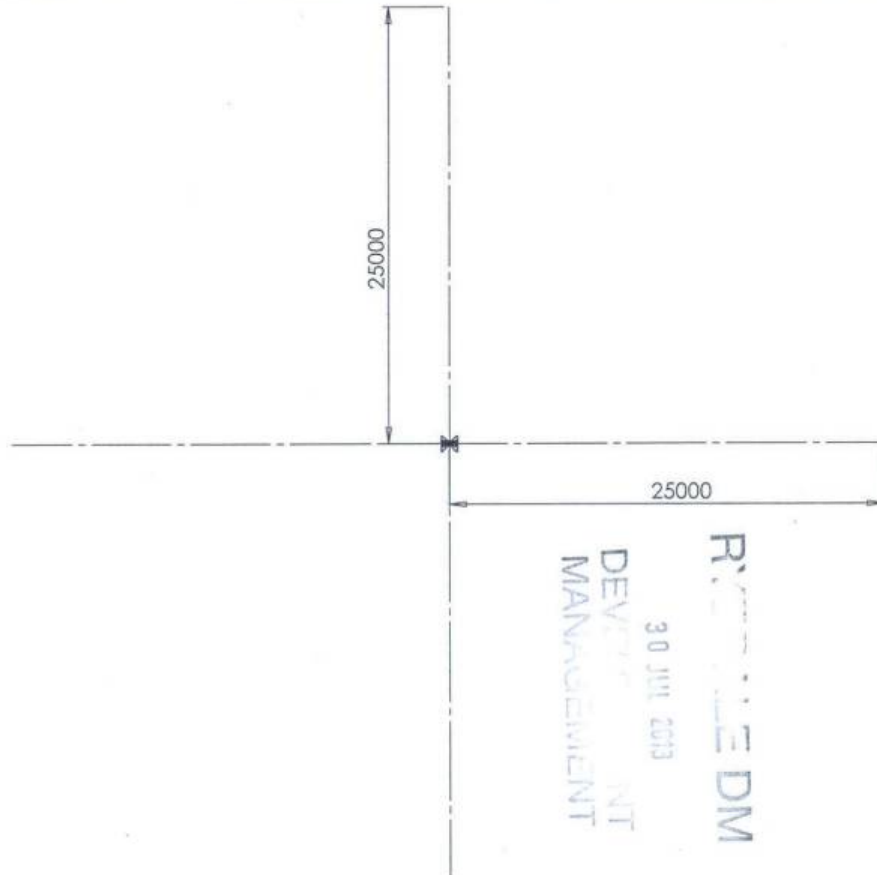


THIS COPY HAS BEEN MADE BY OR WITH THE
 AUTHORITY OF WESTWIND LIMITED COUNCIL
 PURSUANT TO SECTION 17 OF THE COPYRIGHT
 DESIGNS AND PATENTS ACT 1988 UNLESS
 THAT ACT PROVIDES OTHERWISE. PERMISSION TO
 COPY WITHOUT THE WRITTEN PERMISSION OF THE
 COPYRIGHT OWNER.

RYEMEDIA
 30 JUL 2013
 DEVELOPMENT
 MANAGEMENT

Title: 40m Mast GA	Material: Mild Steel	Notes: - All dimensions are in mm unless otherwise stated - Do not scale drawing - Debur all edges	THE INFORMATION CONTAINED IN THIS DRAWING IS THE SOLE PROPERTY OF WESTERN WIND POWER. ANY REPRODUCTION IN PART OR AS A WHOLE WITHOUT THE WRITTEN PERMISSION OF WESTERN WIND POWER IS PROHIBITED.	Drawn by: T. Sherwen	Western Windpower Wallbridge Industrial Estate Stroud GL5 3JU Tel: 01453 759 408 email: info@nexgenwind.com
DWG #: FOR PLANNING	Revision: 1	Scale: 1:250	Date: 7/2/2012		

nexgen



THIS COPY IS THE PROPERTY OF WESTERN WINDPOWER. IT IS TO BE USED ONLY FOR THE PROJECT AND NOT BE LOANED, REPRODUCED, COPIED, OR DISTRIBUTED TO ANY OTHER PARTY WITHOUT THE WRITTEN PERMISSION OF WESTERN WINDPOWER.

RYAN E DM
 30 JUL 2013
 DEVELOPMENT
 MANAGEMENT

Title: 40m Mast GA	Material: Mild Steel	Notes: - All dimensions are in mm unless otherwise stated - Do not scale drawing - Debur all edges	THE INFORMATION CONTAINED IN THE DRAWING IS THE SOLE PROPERTY OF WESTERN WIND POWER. ANY REPRODUCTION IN PART OR AS A WHOLE WITHOUT THE WRITTEN PERMISSION OF WESTERN WIND POWER IS PROHIBITED.	Drawn by: T. Sherwen	Western Windpower Wallbridge Industrial Estate Stroud GL5 3JU Tel: 01453 759 408 email: info@nexgenwind.com
DWG #: Plan View	Revision: 1	Scale: 1:300		Date: 7/2/2012	